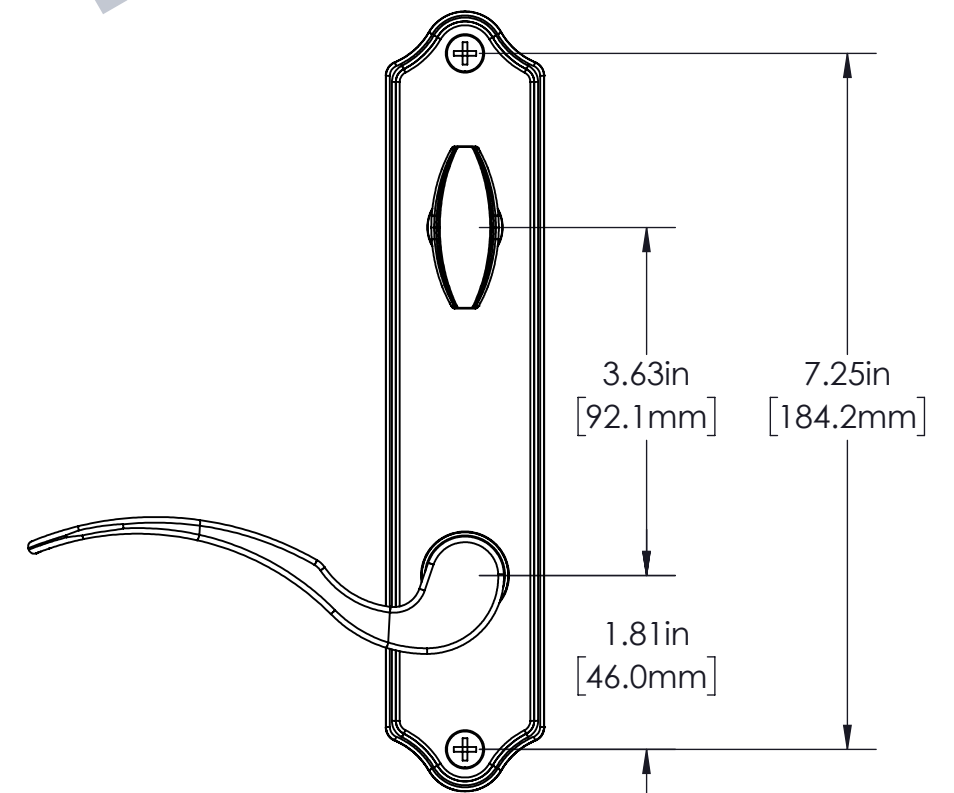
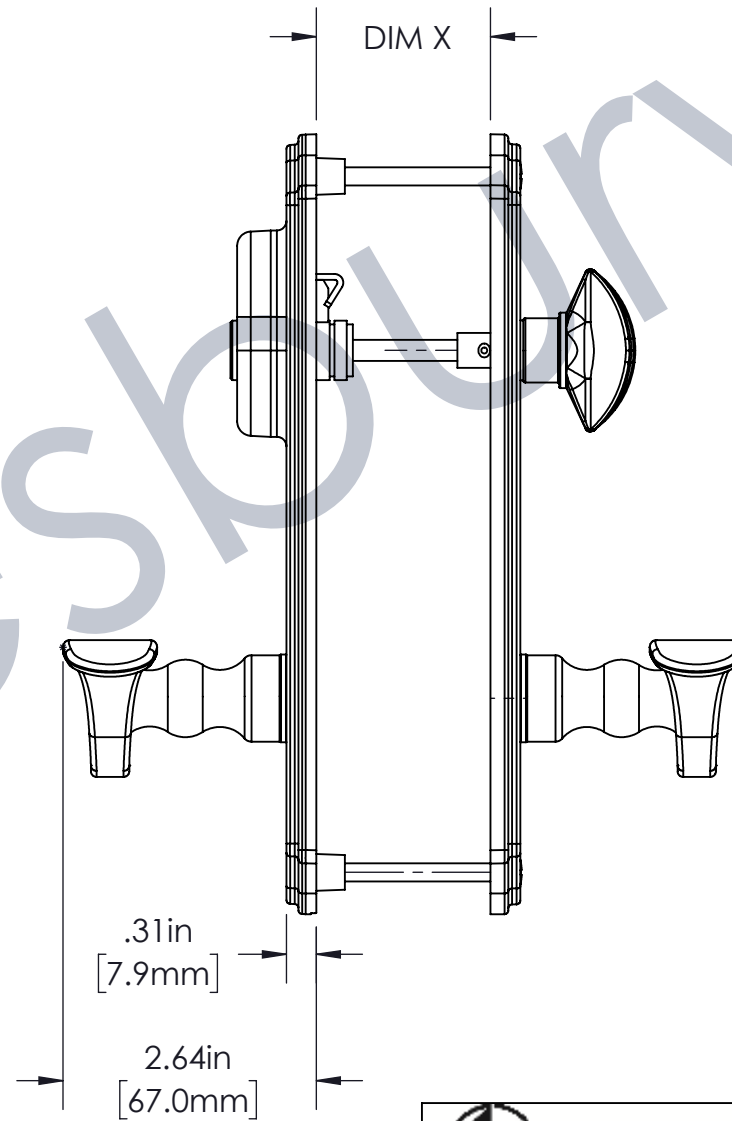
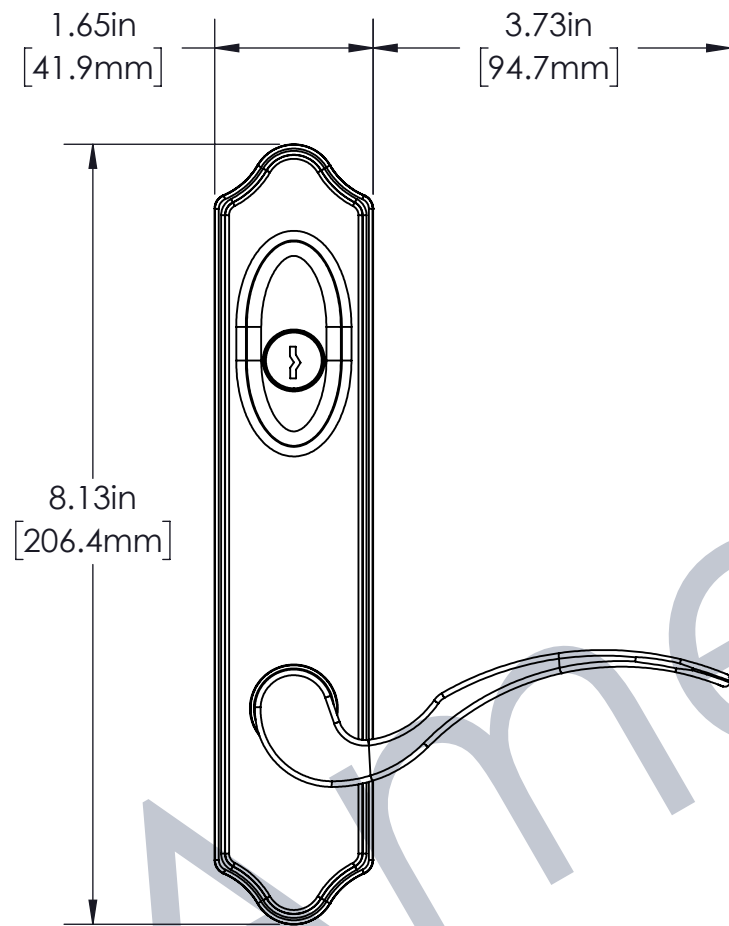
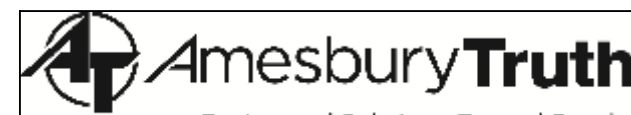


TRIMSET	DESCRIPTION	DIM X
W5201A-A	STANDARD	1.7"
W5201B-A	STANDARD	2.0"
W5201L-A	KEYED ALIKE	1.7"



CUSTOMER PAGE



THE INFORMATION CONTAINED IN THIS DRAWING IS CONFIDENTIAL AND PROPRIETARY. THIS DRAWING IS NOT TO BE COPIED OR REPRODUCED IN WHOLE OR IN PART WITHOUT EXPRESS WRITTEN PERMISSION.

INTERPRET PER:
ASME Y14.5M-2009
UNITS: INCH

THIRD ANGLE
PROJECTION



DRAWING TITLE:
TRUE ELEGANCE KEYED HANDLE SET

SCALE: 1:2

SHEET 1 OF 1

DRAWING #: W5201X-A